

The logo for SFINX, featuring the letters 'S', 'F', 'I', 'N', and 'X' in a large, white, serif font. The background of the top banner is a blue circuit board pattern with glowing lines and nodes.

**SFINX**

Service for French  
INternet eXchange

**SFINX**

RIPE 60 / Prague

May 6th 2010

[Jerome.Durand@renater.fr](mailto:Jerome.Durand@renater.fr)

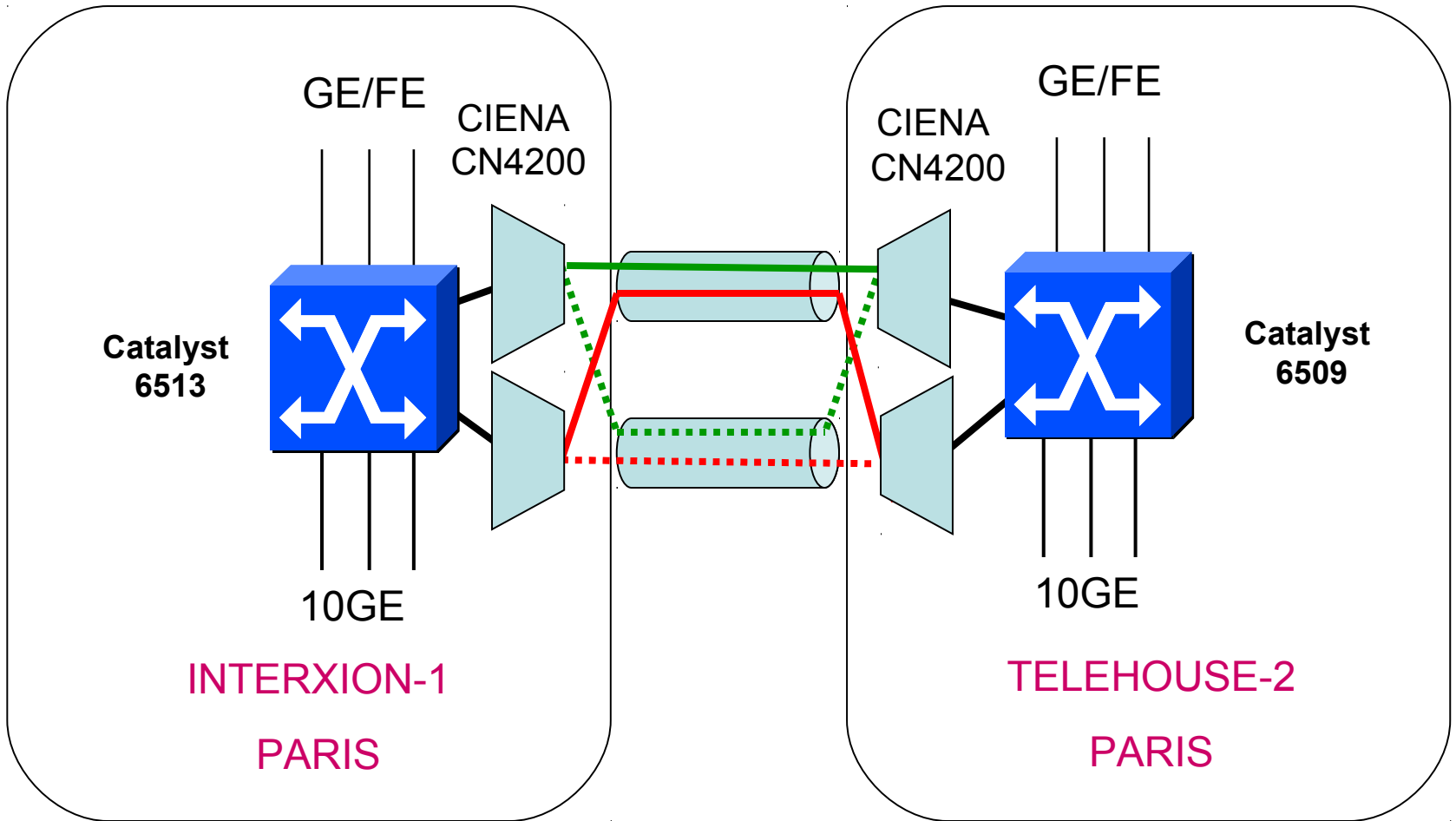
- Since 1995
- Neutral IX – Operated by RENATER
  - French NREN
- 2 POPs in PARIS
  - Interxion-1
  - Telelouse-2
- 10GE / DWDM infrastructure
- ~ 100 ISPs
- DNS: F, I, M root name servers + .fr
- NOC 24 / 7 / 365

Interface	€/year (excl VAT)
10/100 TX	FREE
GE SX	6 050
GE LX	6 545
10GE LR	13 300

No installation fees

# SFINX

## Current topology



- IPv4/IPv6 on a unique VLAN
  - IPv6 prefix - 2001:7f8:4e::/48
  - 57 IPv6 peering addresses allocated
- IPv4 multicast VLAN
  - Lack of interest
- Private VLAN service
- NTP
- DNS
- And of course we listen to your needs if you want more !

- MOLEN
  - Optical GIX in Marseille
    - Marseille Optical Light Exchange Network
- REUNIX (La Réunion)
  - GE ports will be made available RSN
  - Direct peering
- French Guyana
  - Under study

- [www.sfinx.fr](http://www.sfinx.fr)
- Get in touch
  - [contact-sfinx@renater.fr](mailto:contact-sfinx@renater.fr)
- Technical support
  - [support@sfinx.fr](mailto:support@sfinx.fr)
- **NOC-SFINX 24 / 7 / 365**
  - [noc-sfinx@noc.sfinx.fr](mailto:noc-sfinx@noc.sfinx.fr)
  - 0800 77 47 95 (toll free)
  - +33 1 78 41 05 51

SFINX

Thank you



Jerome.Durand@renater.fr